

**DRAINAGE AREA LOCATION**

SCALE: 1/4"=1 MILE

- NOTES:
1. TOTAL DRAINAGE AREA 205 mi.<sup>2</sup>
  2. FIGURE MODIFIED FROM FIGURE 3-5 (HYDROSPHERE, 1995).

**Figure 1.1  
Elkhead Reservoir  
Drainage Area**

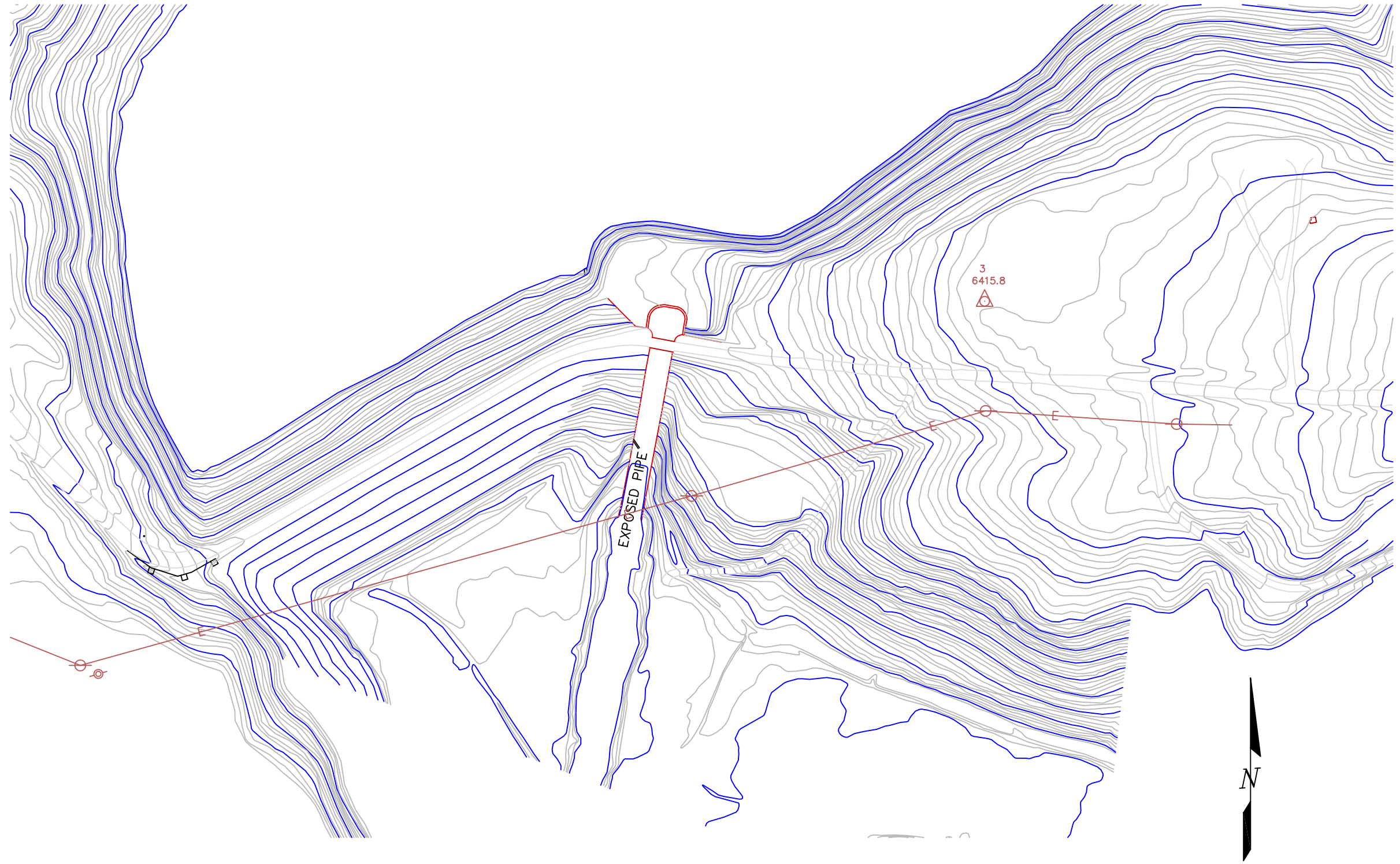
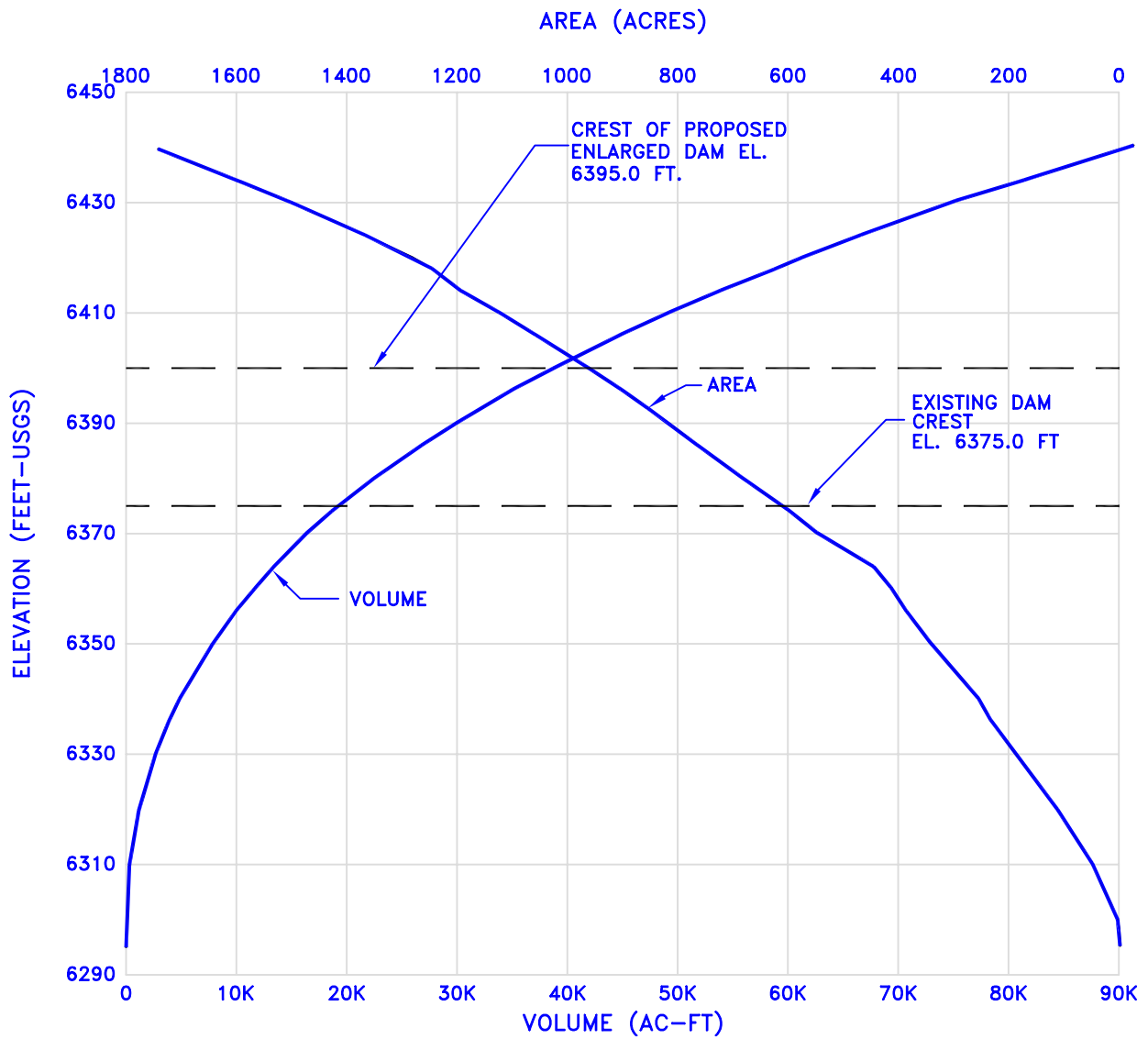


Figure 2.1  
**General Plan of  
Dam Area**

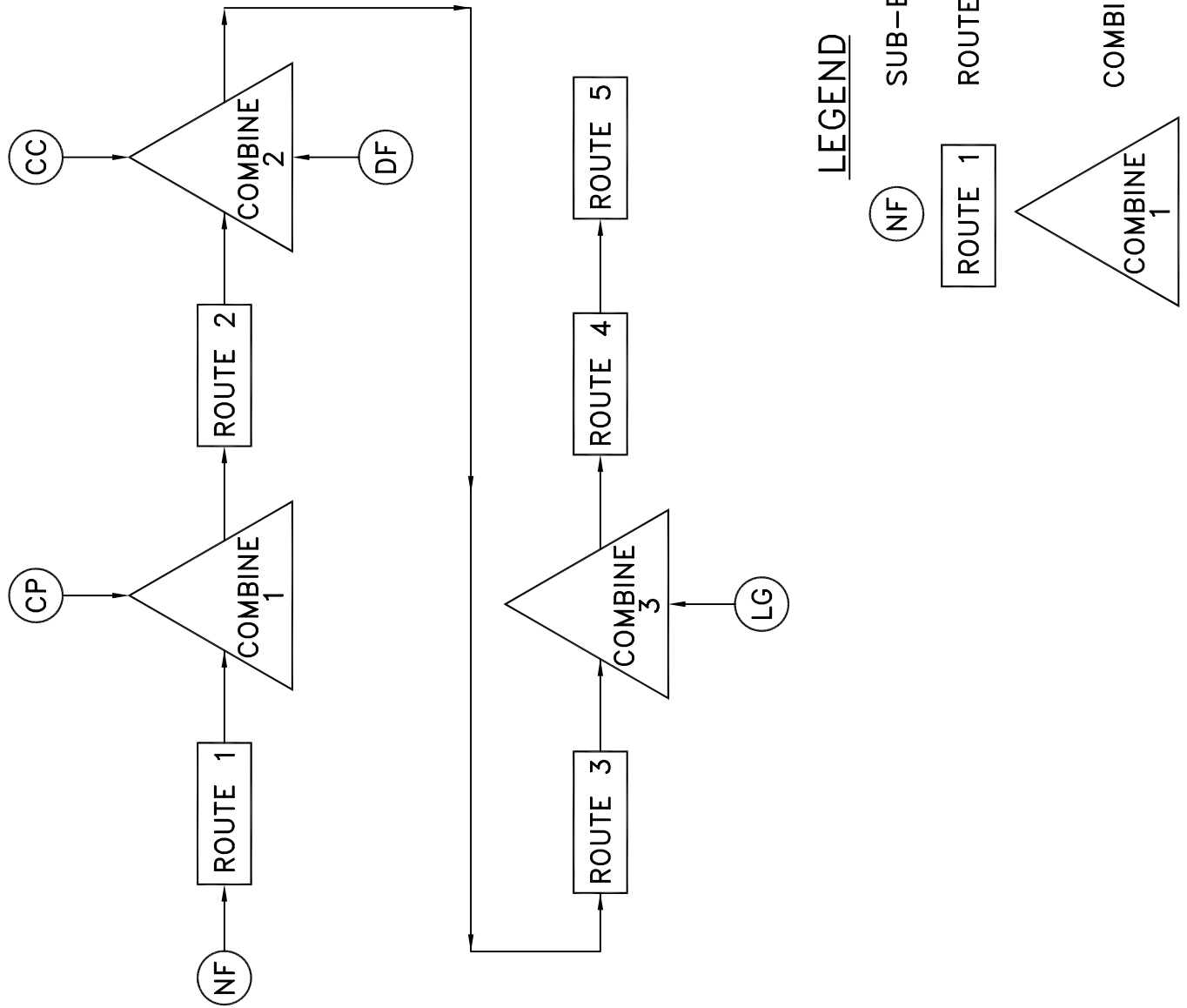


NOTE:  
 THE CORRESPONDING TABULAR  
 INFORMATION IS PROVIDED IN  
 TABLE 4.7 (HYDROLOGY REPORT)

**Figure 2.2**  
**Elkhead Reservoir**  
**Area-Capacity Curve**

**AVRES** Engineers/Scientists/Surveyors  
 ASSOCIATES  
 400 S. McCaslin Blvd., Suite 200  
 Louisville, CO 80027  
 (303) 938-8874

OCTOBER 2002



LEGEND

(NF)

SUB-BASIN ELEMENT

ROUTE 1

ROUTE ELEMENT

COMBINE 1

COMBINE ELEMENT

Figure 4.1  
Hydrologic Network  
Schematic